



# FILTER BASIN INSTRUCTIONS

## Installation

1. Inspect all parts and materials supplied to assure all parts are present and undamaged.
2. Select a suitable installation location near septic tank discharge.
3. Excavate hole around outlet piping large enough to accommodate basin assembly, all piping and backfill.
4. Remove a section of septic outlet piping large enough to accommodate basin assembly and necessary piping connections.
5. Add 4" to 6" of base backfill material. Ensure it is level, compacted and smooth.
6. Install basin assembly in the hole and make necessary piping connections. Ensure it is level and at the elevation desired or required by local code.
7. Carefully backfill with naturally rounded gravel or stone, between 3/8" and 3/4" in diameter, around the periphery of the basin.
8. Compact backfill in 12" thick layers, stopping to make necessary piping connections, and continue to backfill to grade.
9. Install VRS switch if required.

## Maintenance

1. The effluent filter and filter basin should be cleaned every time the septic tank is serviced.
2. Open the access cover to inspect the basin and filter.
3. Insert the Maintenance Plate into the filter case.
4. Firmly pull up on the filter handle to dislodge the cartridge from the case.
5. Slide the cartridge up and out of the case for cleaning.
6. If a VRS switch connected to the alarm is present, the switch should be removed, cleaned with water only.
7. While holding the cartridge over the access opening, rinse off the cartridge with water only, making sure all septage is rinsed back into the basin.
8. Pump the filter basin completely.
9. Replace VRS switch if present.
10. Insert the filter cartridge back into the case, pressing down until the filter locks into the bottom of the case.
11. Remove and store the Maintenance Plate.
12. Replace and secure the access cover on the basin.

**IMPORTANT!** If Child Safety Plate is removed, do not leave site unattended until cover is replaced and secure.

### **BEAR ONSITE™ FILTER CARTRIDGE - FIVE-YEAR LIMITED WARRANTY**

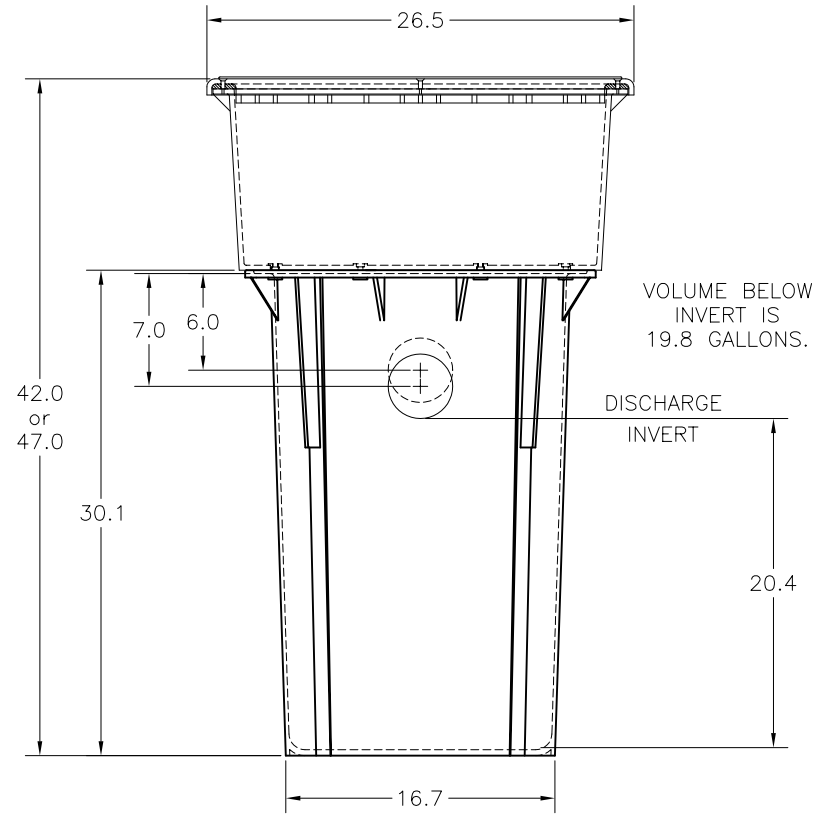
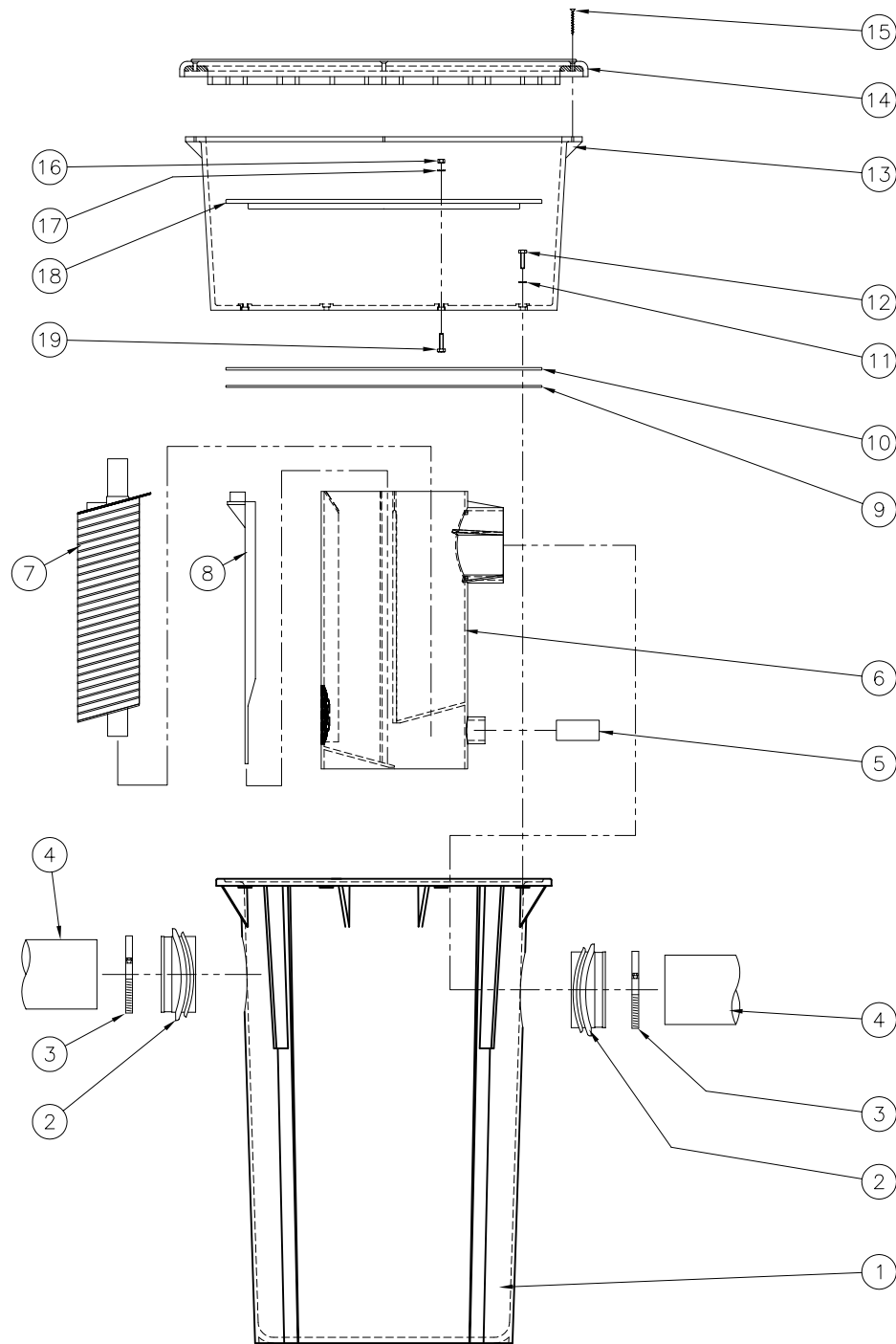
Bear Onsite filter cartridges are warranted to be free of defects in material and workmanship for five (5) years from the date of consumer purchase.

### **BEAR ONSITE™ FILTER CASE - LIFETIME LIMITED WARRANTY**

Bear Onsite warrants the filter case will be free of defects in material and workmanship during normal use for the period of time the original purchaser owns the product.

If a defect is found in normal use, Bear Onsite will, at its election, repair, provide a replacement part or product, or make appropriate adjustment. Damage to a product caused by accident, misuse, or abuse is not covered by this warranty. Improper care or malfunctions resulting from units not installed, operated, or maintained in accordance with instructions provided will void the warranty. Proof of purchase (original sales receipt) must be provided to Bear Onsite with all warranty claims. Bear Onsite is not responsible for labor charges, removal charges, installation, or other incidental or consequential costs. In no event shall the liability of Bear Onsite exceed the purchase price of the product.

MADE IN USA



19	2	1/4-20 x 1 HHC-SS		HSS5306
18	1	Child Safety Plate	SF27BF	
17	2	1/4" Flat Washer SS		HSS5303
16	2	1/4-20 Nut SS		HSS5304
15	4	12 x 2 Sq Flat TY SS		HSS5338
14	1	Green 24" Foam Riser Cover	SFRC24Gr	ASS2375
13	1	12" Pump Chamber, or 16" Pump Chamber	SFPC12 SFPC16	BSN2014 BSN2015
12	4	1/4-20 x 1 HHC-SS		HSS5306
11	4	1/4" Flat Washer SS		HSS5303
10	1	SEAL 18-8, tabs removed	SEAL 18-8	CVR4307
9	1	GRT065x7/8 Gasket Tape Roll	GRT065x7/8	ASS2039
8	1	Maintenance Plate		
7	1	ML-3 Filter Cartridge		
6	1	ML-3 Filter Case	ML-3	
5	1	1" Sch40 DWV PVC, 3.00" long		
4	4	4" Sch40 DWV PVC, supplied by others	P40PP20	JKS6137
3	2	603-072-175 Clamp (SIH4)		HSS5342
2	2	4" Snap-In Rubber Hub, one with pipe stop removed	SIH4	BHF1012
1	1	Structural Foam Basin 30 Gallon	SF30BA	ASS1062
ITEM	QTY	DESCRIPTION	PN	GPN

JACKEL, INC.  
 15314 HARRISON RD., MISHAWAKA, IN 46544  
 ph 574.256.5635, fax 574.256.6966, www.jackelinc.com

PART NAME					
BEAR-JACK Filter Basin Assembly w/ML3-9xx Filter					
PART NUMBER	UNITS	SCALE	WEIGHT	SHEET OF	REVISION
BJ-FBA-9xx-1x	INCHES	NTS		1 1	
APPROVED	CHECKED	DRAWN BY	DATE		
		S. JACKMAN	3/16/2011		

BJ-FBA-9xx-1x

REV	DATE	DESCRIPTION

ALL INFORMATION CONTAINED IN THIS DOCUMENT IS CONFIDENTIAL AND PROPRIETARY TO JACKEL INC.